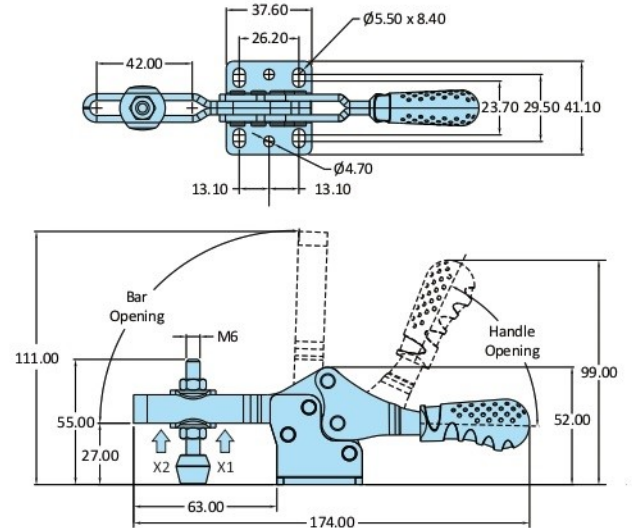


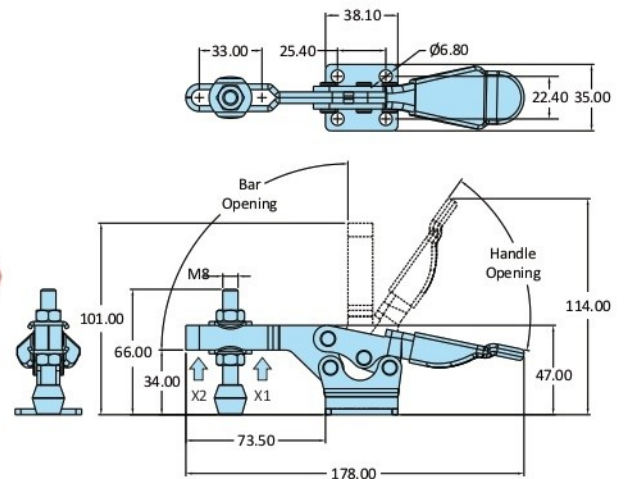
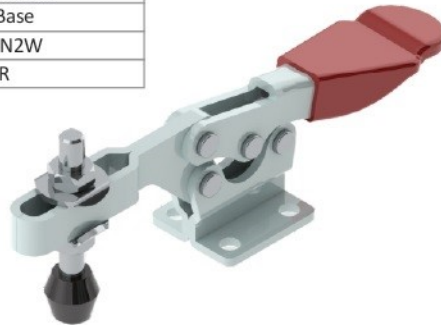
Horizontal Hold Down Action
H-217 Series

Model No	H-217-U
Weight	0.230 Kgs
Handle Opening ($\pm 3^\circ$)	65°
Clamp Bar Opening ($\pm 3^\circ$)	92°
Holding Capacity	X1 - 1.00 kN
	X2 - 0.36 kN
Material	Steel
Finish	Zinc Plated
Arm Type	Adjustable Arm
Base Type	Flanged Base
Supplied with Spindle	RT-655-2N2W
Supplied with Washers	M6-WSHR



Horizontal Hold Down Action
H-225 Series

Model No.	H-225-U
Weight	0.260 Kgs
Handle Opening ($\pm 3^\circ$)	66°
Clamp Bar Opening ($\pm 3^\circ$)	90°
Holding Capacity	X1 - 2.20 kN
	X2 - 1.10 kN
Material	Steel
Finish	Zinc Plated
Arm Type	Adjustable Arm
Base Type	Flanged Base
Supplied with Spindle	RT-865-2N2W
Supplied with Washers	M8-WSHR



Horizontal Hold Down Action
H-235 Series

Model No	H-235-U
Weight	0.380 Kgs
Handle Opening ($\pm 3^\circ$)	85°
Clamp Bar Opening ($\pm 3^\circ$)	71°
Holding Capacity	X1 - 3.40 kN
	X2 - 1.30 kN
Material	Steel
Finish	Zinc Plated
Arm Type	Adjustable Arm
Base Type	Flanged Base
Supplied with Spindle	RT-1085-2N2W
Supplied with Washers	M10-WSHR

