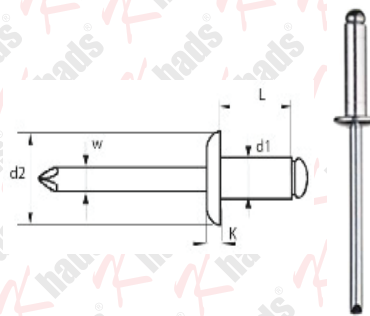


Alum/Steel Blind Rivet Open End Dome Head DIN7337



Body : Aluminium Alloy (Al Mg)

Mandrel : Steel Zinc Plated

Mandrel Length: 30mm

Rivet Dia	Rivet Length		Head Diameter	Head Thickness	Mandrel Diameter	Grip Range	Standard Strength N. (mm)		
d1 dia.	L (mm)	Drill Size	d2 (mm)	K (mm)	w (mm)	mm	SHEAR	TENSILE	Item Code
2.4mm (Al Mg3.5%)	6.0	2.5mm	4.3 - 5.0	0.8max	1.37	0.5 - 3.0	300	350	AS24006
	8.0					3.0 - 5.0			AS24008
	10.0					5.0 - 7.0			AS24010
	12.0					6.0 - 9.0			AS24012
	16.0					10.0 - 13.00			AS24016
3.2mm (Al Mg1.5%)	6.0	3.3mm	5.8 - 6.5	1.2max	1.75	1.2 - 3.2	535	650	AS32006
	8.0					3.0 - 5.0			AS32008
	10.0					5.0 - 7.0			AS32010
	12.0					7.5 - 9.5			AS32012
	14.0					9.0 - 11.0			AS32014
	16.0					11.0 - 13.0			AS32016
	19.0					14.0 - 16.0			AS32019
	22.0					17.0 - 19.0			AS32022
	25.0					19.0 - 21.0			AS32025
4.0mm (Al Mg1.5%)	6.0	4.1mm	7.0 - 8.0	1.5max	2.10	0.5 - 2	850	1020	AS40006
	8.0					2.0 - 4.0			AS40008
	10.0					4.0 - 6.0			AS40010
	12.0					6.5 - 8.5			AS40012
	14.0					8 - 10			AS40014
	16.0					10 - 12			AS40016
	19.0					13 - 15			AS40019
	22.0					16 - 18			AS40022
	25.0					19 - 21			AS40025
	30.0					21 - 26			AS40030
4.8mm (Al Mg1.5%)	8.0	5.0mm	8.5 - 9.5	1.6max	2.60	1.5 - 3.5	1160	1420	AS48008
	10.0					3.5 - 5.5			AS48010
	12.0					6.0 - 8.0			AS48012
	14.0					7.5 - 9.5			AS48014
	16.0					9.5 - 11.5			AS48016
	19.0					12.5 - 14.5			AS48019
	22.0					15.5 - 17.5			AS48022
	24.0					17.5 - 19.5			AS48024
	30.0					20.5 - 25.0			AS48030
	40.0					30.0 - 35.0			AS48040
	50.0					39.0 - 44.0			AS48050
	65.0					53.0 - 58.0			AS48065
	6.4mm (Al Mg3.5%)					10.0			6.5mm
12.0		3.0 - 6.0	AS64012						
16.0		6.0 - 10.0	AS64016						
19.0		10.5 - 12.5	AS64019						
25.0		14.5 - 18.5	AS64025						
30.0		18 - 23	AS64030						