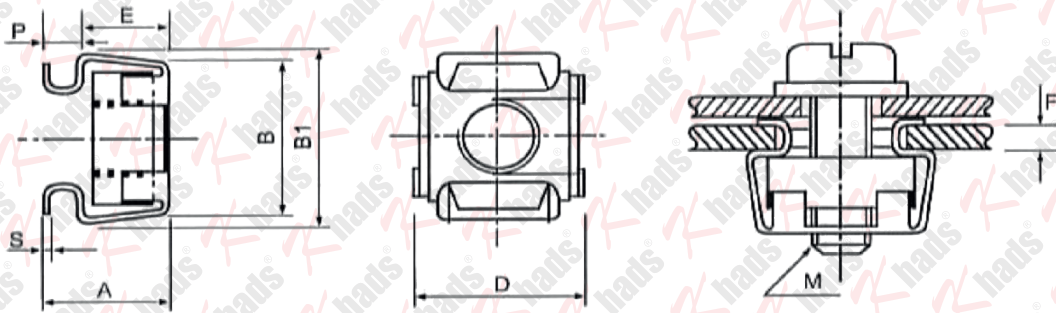


# CAGE NUTS - Available Sizes



Item Codes	Sizes	Material
CAGENUTA206	M6	SS304 (A2)
CAGENUTSTL05	M5	Steel Zinc Plated
CAGENUTSTL06	M6	Steel Zinc Plated
CAGENUTSTL08	M8	Steel Zinc Plated

## DIMENSIONS



Item Code	"F" mm	"A" mm	"B" mm	"B1" mm	"D" mm	"S" mm	"E" mm
CAGENUTA206	2.70 - 3.30	9.90	12.50	13.50	13.00	0.4	6.2
CAGENUTSTL05	2.30 - 2.70	9.30	12.50	13.50	13.00	0.40	6.20
CAGENUTSTL06	2.70 - 3.30	9.90	12.50	13.50	13.00	0.40	6.20
CAGENUTSTL08	2.70 - 3.30	11.60	15.50	16.50	16.00	0.50	7.90